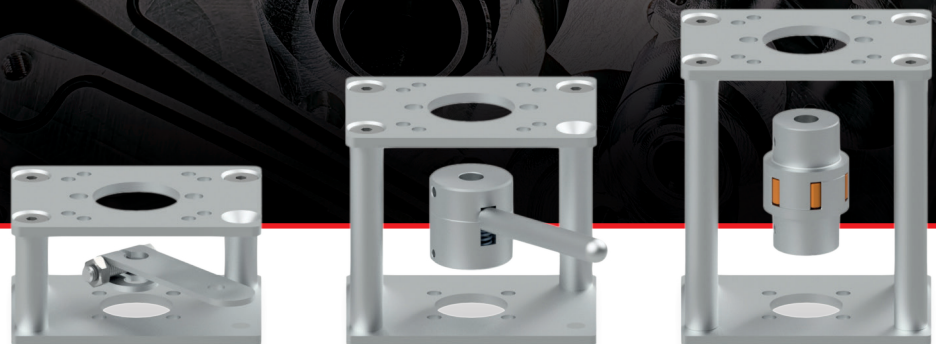


ARIS – Experts in motion

**Mounting
accessories**



Mounting accessories for
electric rotary and part-turn actuators

TABLE OF CONTENTS



Mounting brackets 04



Angle mounting brackets 06



Pivot joint 07



Connecting rods 08



Hand lever clutch HFK (elastic) 09



Hand lever clutch HK (fix) 10



Clamping lever KH 40-300 11



Clamping lever clutch 12



Reducer square - octagonal 13



Reducer square - square 14



Adapter shaft square 15



Shaft coupling flexible 16



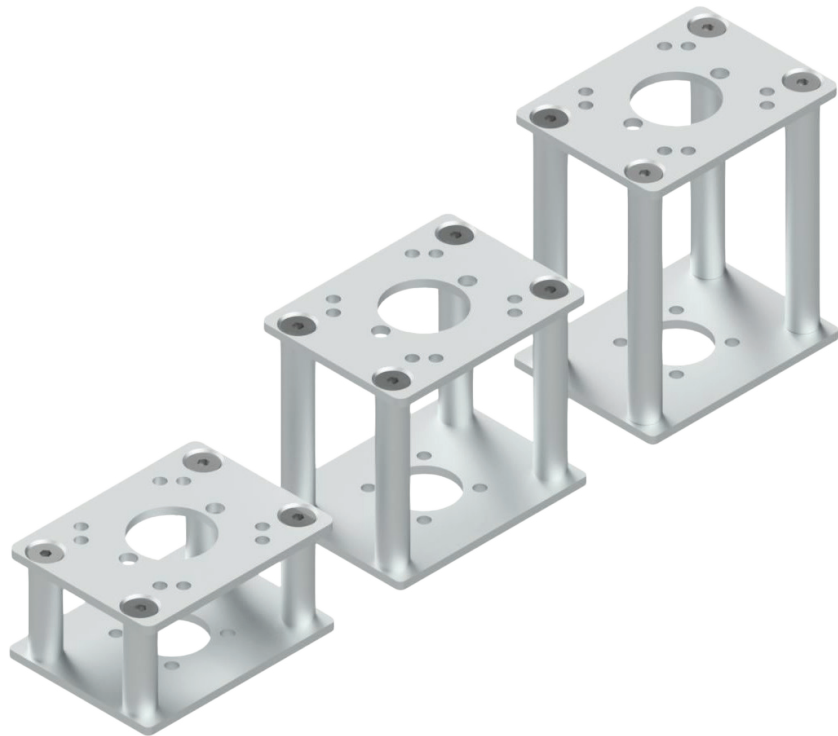
Shaft coupling fix 17

MOUNTING BRACKETS

For mounting the actuators on flaps and valves

Consisting of

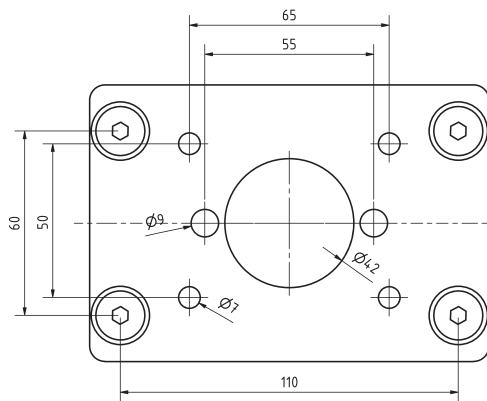
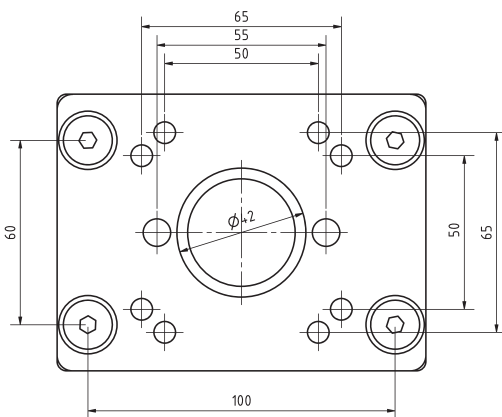
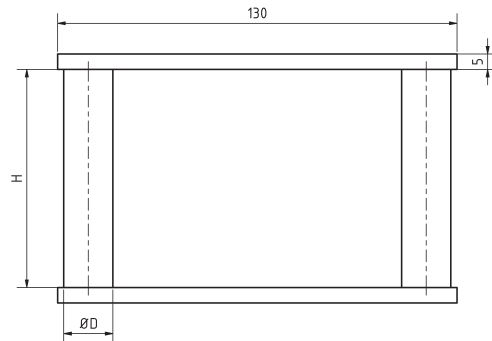
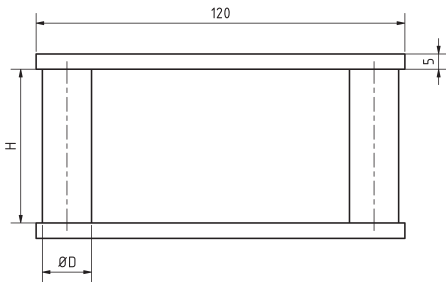
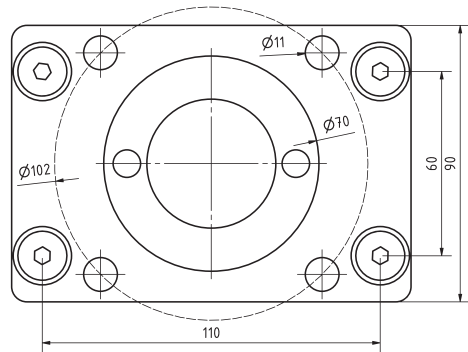
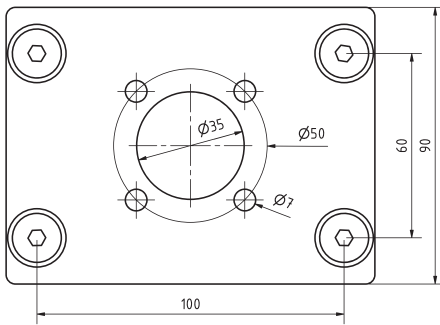
- > Bracket plates
- > Stud bolts
- > Associated screws



Example of application



Example of mounting brackets



Other mounting brackets on request -
Customised for your application!

Available installation heights in mm:						
D	16					
H	50	71	95	129	145	189

ANGLE MOUNTING BRACKETS

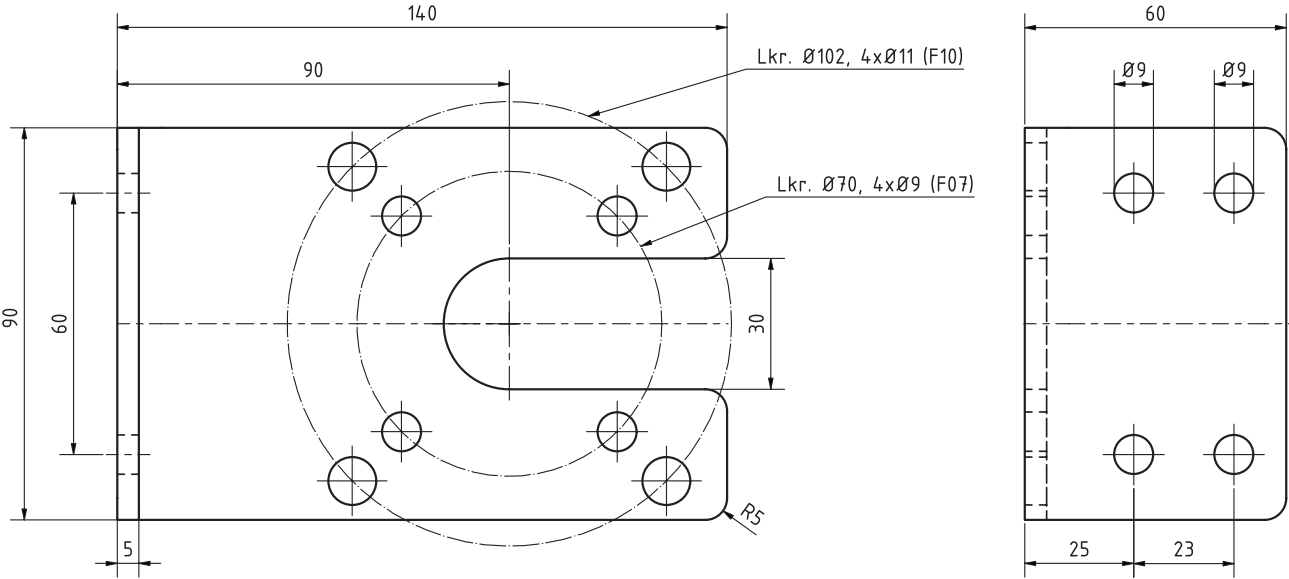
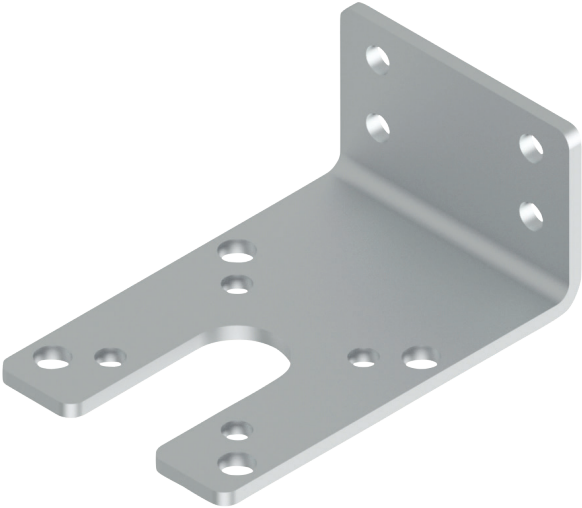
Enables the drive to be mounted offset by 90°

Material

> Steel, galvanised

Order number

0150.00025



PIVOT JOINT

Enables the movement of actuators via levers and rods

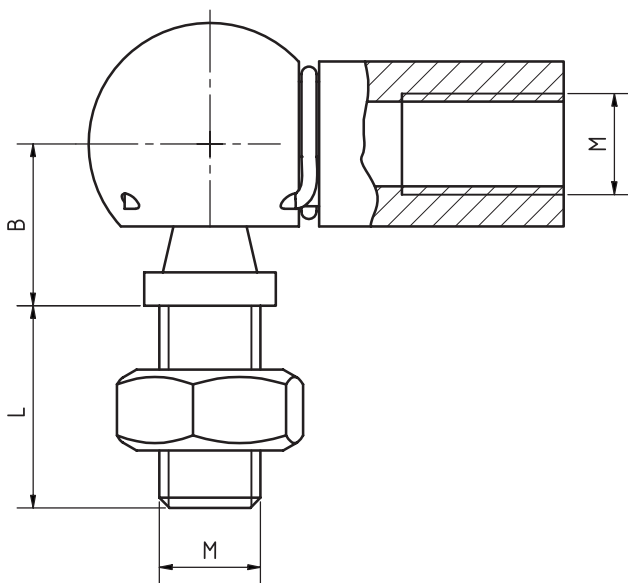
> Used together with lever arm and connecting rods

Consisting of

- > Pivot joint
- > Hexagon nut

Material

- > Steel, galvanised



Dimension table in mm:				
Number	M	A	B	L
0117.00604	10	35	16	20
0117.00605	16	45	20	28

CONNECTING RODS

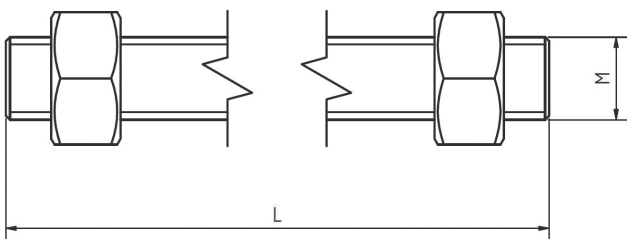
For moving actuators via lever arm,
joint and linkage

Consisting of

- > Threaded rod
- > Hexagon nuts

Material

- > Steel, galvanised



Dimension table in mm:		
Number	M	L
0080.00048	10	500
0080.01048	10	1000

HAND LEVER CLUTCH HFK (FLEXIBLE)

For mounting on actuators with stop bars to enable manual adjustment

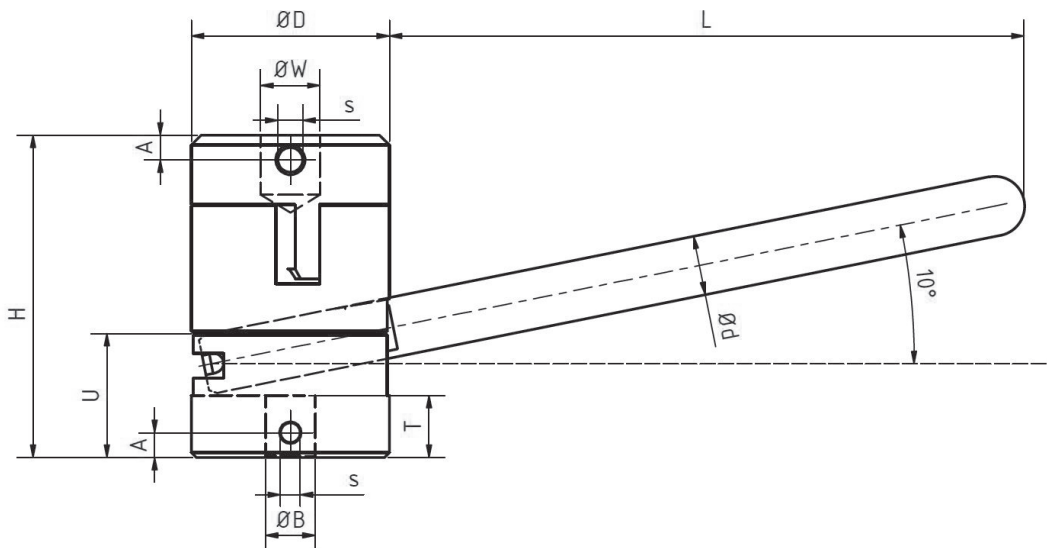
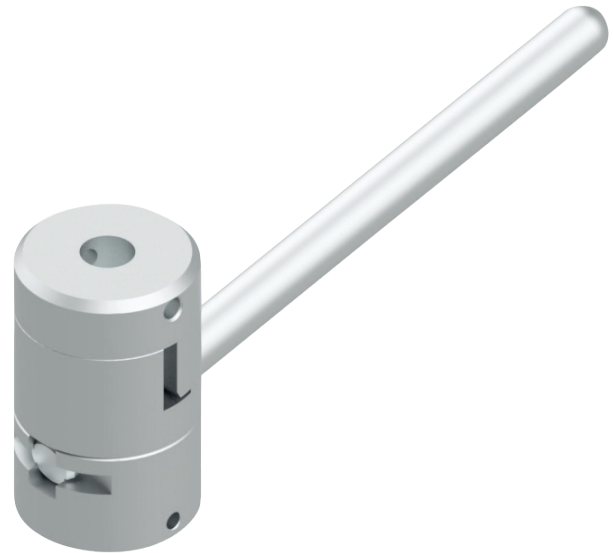
> Also serves as a manual position indicator

Consisting of

- > 3-piece shaft coupling with hand lever and dowel pins
- > Upper part with spring element, clockwise effective

Material

- > Stainless steel (1.4104)



Dimension table in mm:

Number	D	W	H	L	d	S	A	U	B	T	P
0080.10051	40	12	65	140	14	5	5	25	10	12	4
0080.10050	40	12	65	140	14	5	5	25	12	12	5
0080.10057	40	12	65	140	14	5	5	25	14	12	6

Also available with groove / feather key or special dimensions!

HAND LEVER CLUTCH HK (FIX)

For mounting on actuators to enable manual adjustment

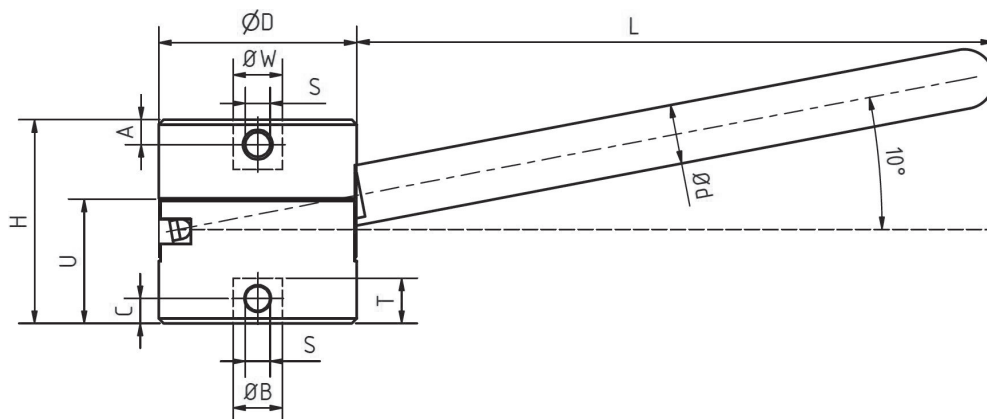
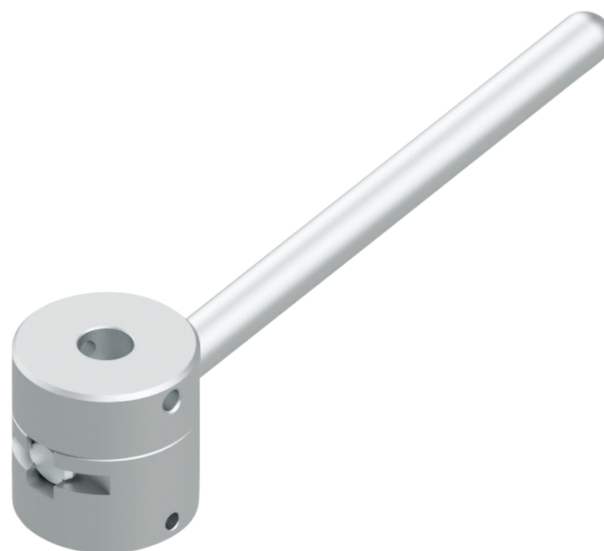
> Also serves as a manual position indicator

Consisting of

> 2-piece shaft coupling with disengageable hand lever and dowel pins

Material

> Stainless steel (1.4104)



Dimension table in mm:

Number	D	W	H	L	d	S	A	C	U	B	T	P
0080.00062	40	12	41	140	14	5	5	5	25	10	12	4
0080.00050	40	12	41	140	14	5	5	5	25	12	12	5
0080.00069	40	12	41	140	14	5	5	5	25	16	12	5
0080.00058	40	12	41	140	14	5	5	5	25	20	12	5
0080.00057	40	14	41	140	14	6	5	5	25	14	12	6
0080.00062	40	14	41	140	14	6	5	5	25	20	12	6
0080.00068	40	14	41	140	14	6	5	5	25	25	12	6

Also available with groove / feather key or special dimensions!

CLAMPING LEVER KH 40-300

Enables valves to be actuated by clamping lever arm, joint and linkage

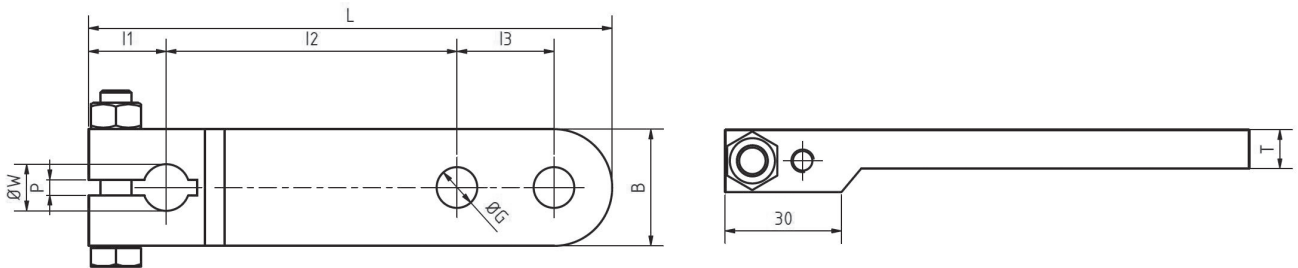
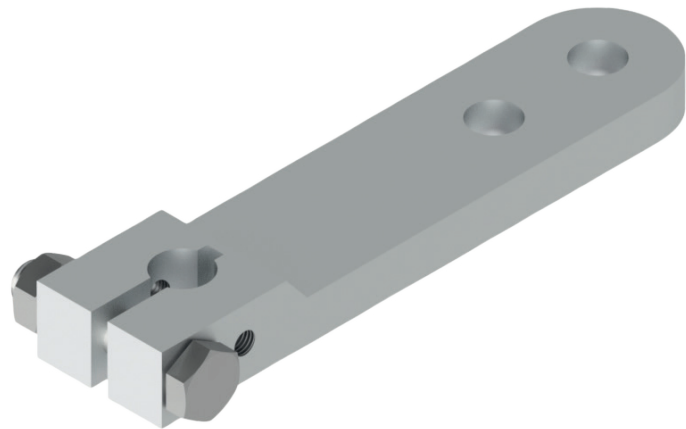
> Fastening optionally by dowel pin, feather key or clamping

Consisting of

- > Clamping lever
- > Hexagon head screw
- > Hexagon nut

Material

- > Steel, galvanised



Dimension table in mm:

Number	W	L	l1	l2	l3	G	B	P	T
0117.00601	12	135	20	75	25	10.5	30	4	12
0117.01602	14	135	20	75	25	10.5	30	5	12
0117.00602	20	196	26	100	50	16.5	40	6	15
0117.00603	25	196	26	100	50	16.5	40	8	15

CLAMPING LEVER CLUTCH

For assembly of actuators with valves,
flaps and dampers

> Clamp fastening on the output shaft in any position

Consisting of

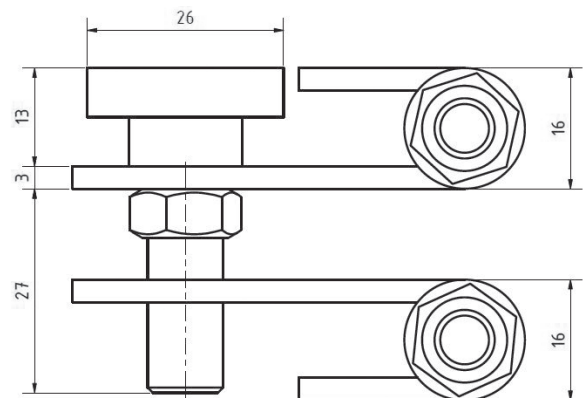
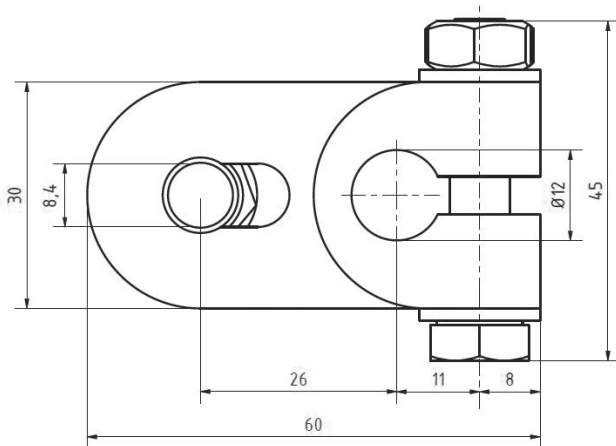
- > 2-piece clamping lever coupling
- > Knurled screw
- > Hexagon head screws
- > Hexagon nuts

Material

- > Steel, galvanised

Order number

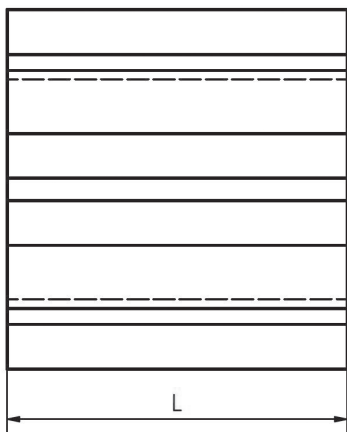
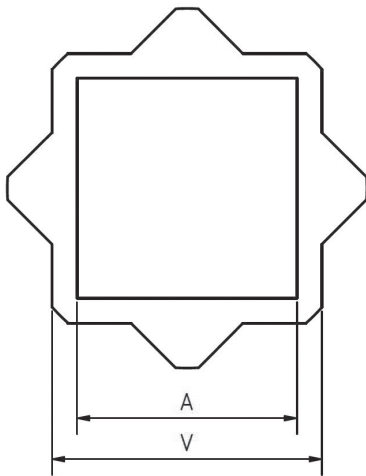
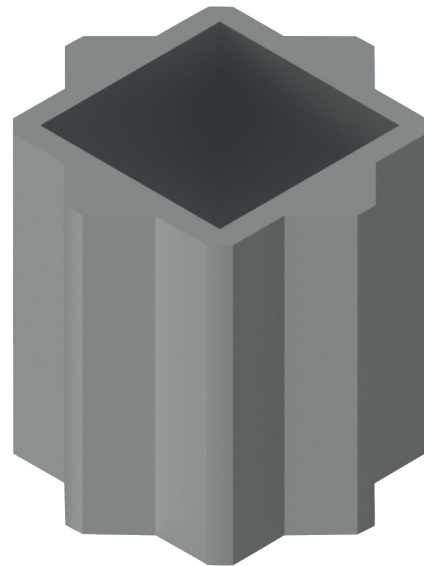
0070.01179



REDUCER SQUARE - OCTAGONAL

To reduce the internal octagon from actuator to external square of the valve

> According to ISO 5211

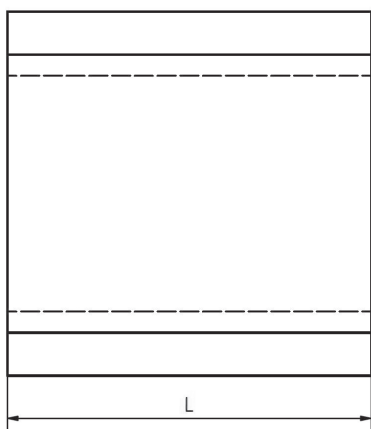
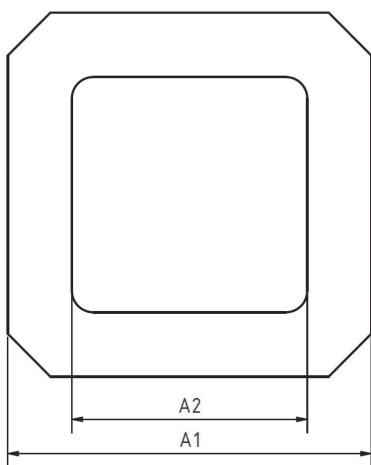
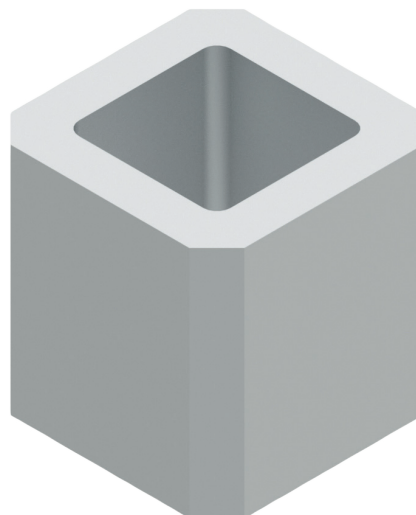


Dimension table in mm:			
Number	V	A	L
1110.00600	11	9	11
1110.00615	14	9	17
1110.00601	14	11	17
1110.00602	17	14	21
1110.00610	22	17	27
1110.00603	27	22	34
1110.00604	36	27	46

REDUCER SQUARE - SQUARE

For reducing the internal square from actuator to external square of the valve

> According to ISO 5211



Dimension table in mm:			
Number	A1	A2	L
1110.00605	11	9	10
1110.00611	14	9	14
1110.00606	14	11	15
1110.00612	17	11	17
1110.00607	17	14	17
1110.00609	22	17	22
1110.00608	27	22	27
1110.00614	36	27	36
1110.00613	46	36	49

ADAPTER SHAFT SQUARE

For transmitting the torque between actuator and valve

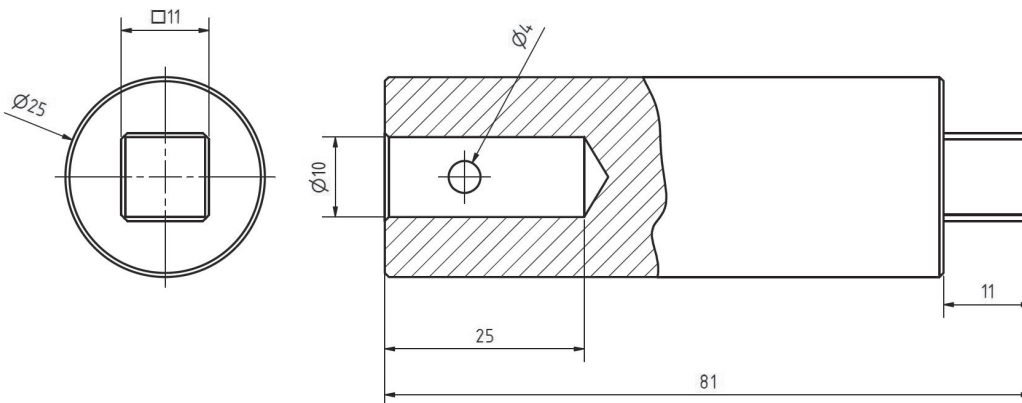
> According to ISO 5211

Other adapter shafts on request

- > with other bore / cross bore
- > with feather key

Order number

0000.01395



SHAFT COUPLING FLEXIBLE

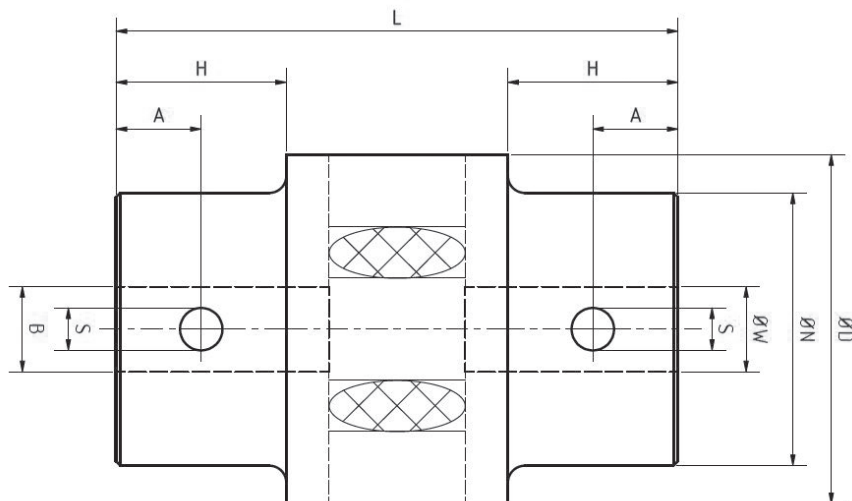
For connecting output and valve shafts
with elastic insert

Consisting of

- > 2-piece coupling
with dowel pins and
spring element

Material

- > Aluminium / polyurethane



Dimension table in mm:

Number	Nm	W	D	N	L	H	S	A	B
0117.00606	5 - 40	12	41	32	66	20	5	10	0 - 20
0117.00612	40 - 100	20	56	40	78	24	8	10	0 - 25
0117.00614	100 - 300	25	67	48	90	28	10	15	0 - 30

SHAFT COUPLING FIXED

For the fixed connection of output and valve shafts

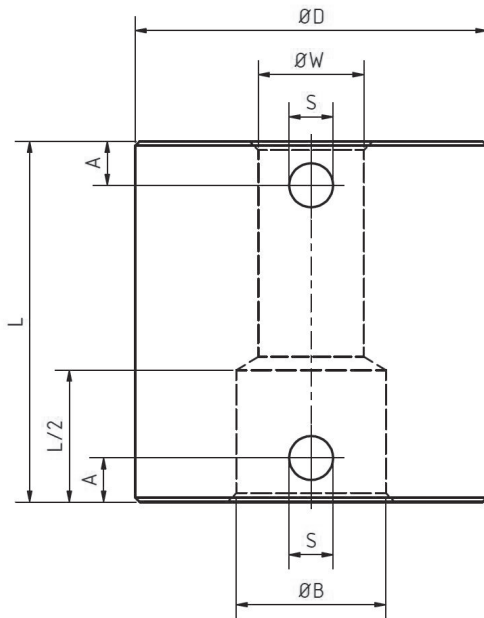
> Also available undrilled or in different dimensions

Consisting of

> Connecting sleeve with dowel pins

Material

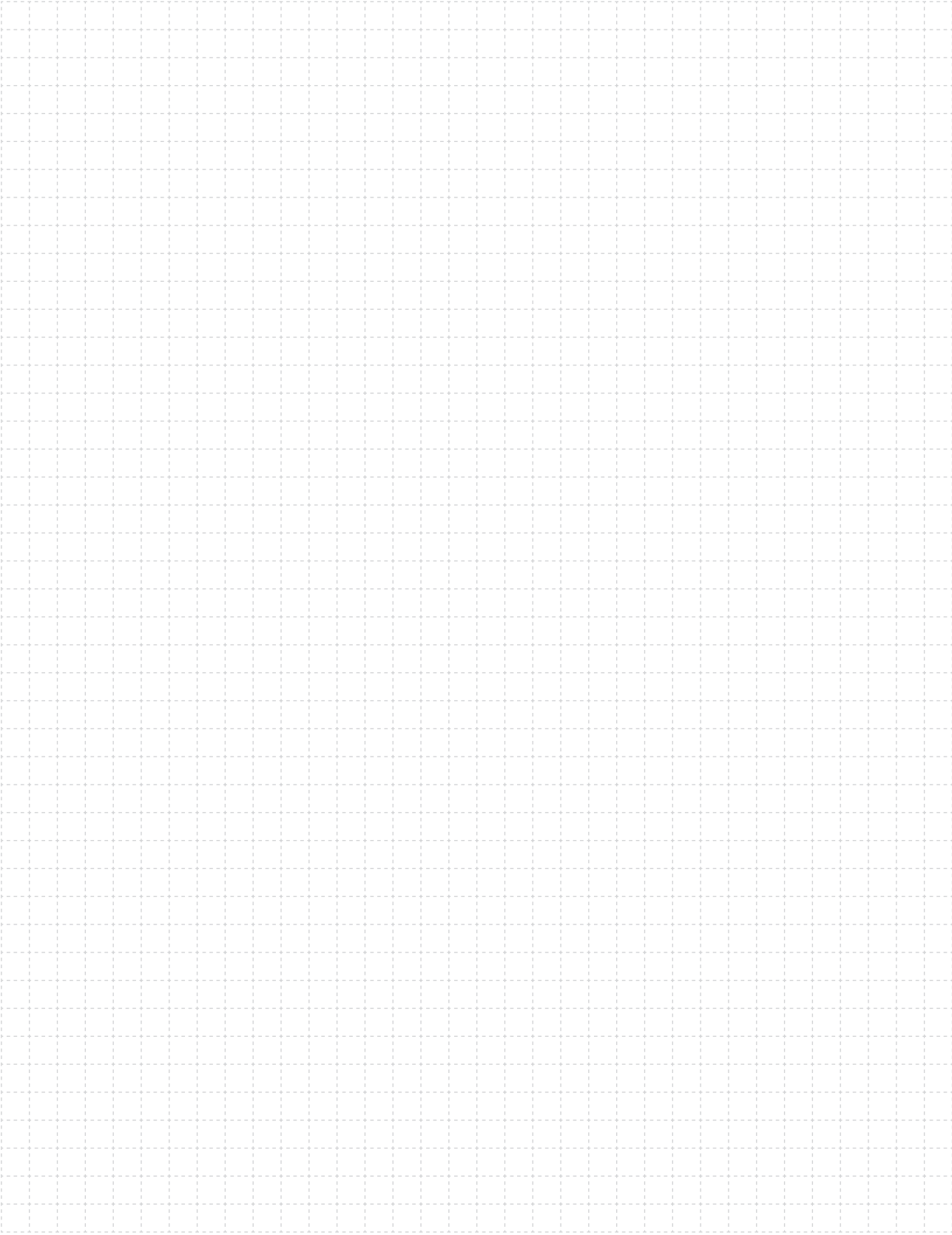
> 1.4301 / 1.4305



Dimension table in mm:

Number	W	D	L	S	A	B
0555.26011	12	40	41	5	5	0 - 20
0555.26008	12	22	41	5	5	12

NOTES



ARIS – Experts in motion

High Performance in Actuation

Your specialist for modern actuator and valve technology

ARIS Stellantriebe GmbH
Rotter Viehtrift 5a - 9
53842 Troisdorf Germany

P +49 2241 251 86 - 0
F +49 2241 251 86 - 99
aris@stellantriebe.de

stellantriebe.de

